

Centro-Matic® Automated Lubrication Systems

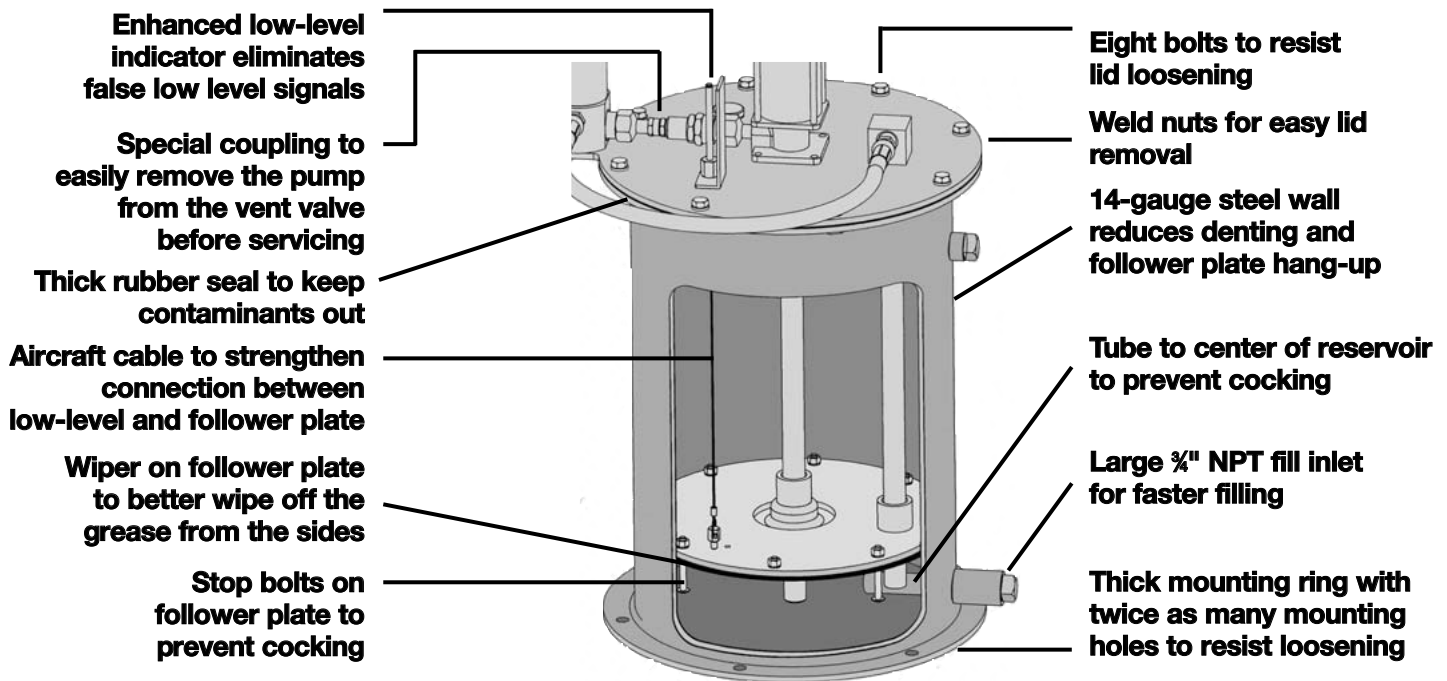
Bucket Pumps



Lincoln offers 60, 90 or 120 lb. reservoirs for our bucket pumps. Here are the features:

- Rugged 14-gauge steel walls
- Large 3/4" NPT inlet for fast filling
- Wiper on follower plate that reduces lubricant waste
- Special coupling for easy pump removal when servicing
- Thick mounting ring that withstands severe vibration

These buckets work with hydraulic, air and electric pumps.



Model 84050

A 50:1 ratio double acting air-operated pump for high-volume displacement. Supplied with a 60-pound capacity metal reservoir with removable cover for easy filling. Includes air-operated vent valve and 5' (1.5m) air and lubricant connecting hoses.

Model:	84050	
Lubricant/Air Ratio:	50:1	
Output/Min @ 100 PSIG Air:	30 cu. in.	492 cc
Reservoir Capacity:	60 lb. / 27 kg	1800 cu. in. / 29,500 cc
Air Inlet:	3/8" NPTF (F)	
Lube Outlet:	1/4" NPTF (M) at Hose	
Typical System Operating Pressure:	Min. 1200 psig	82 bar
	Max. 3500 psig	241 bar
Dimensions (HxWxL):	31 3/4" x 15 1/16" x 15 1/16"	806 x 392 x 395 mm
Filling Method:	Bulk	
Reservoir:	Steel	

Notes: 1. Pump requires 3-way air valve. 2. Air consumption @ 100 psi is .42 CFM per cycle. 3. Optional Model 92597 follower available.

Model 85460

Same as Model 84050 except includes installed visual low level and follower plate assembly.