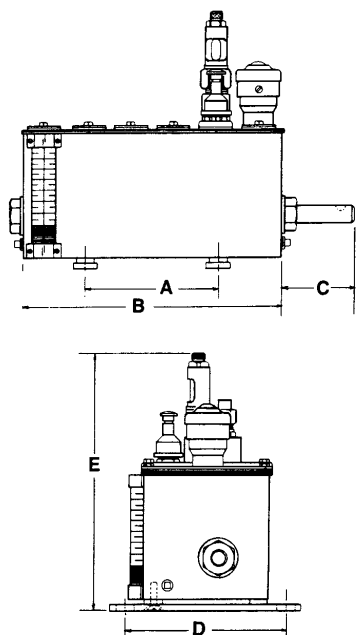


Model 55i Lubricator Pump

Universal lubricator pump fits most major manufacturers' lubricator boxes. One piece pump body eliminates leak points.

Model	Type	Piston Dia. in. / mm	Inlet	Sight Glass	Max. Operating Pressure psi / bar	Max. Oil Viscosity (SUS)	Max. Output Per Stroke Drops (in ³ / cc)
880550	Vacuum	1/4" / 6.4	Suction		6000 / 400	8000 540	9 (.0184 / .302)
880560	Feed	3/8" / 9.5	Tube		3500 / 240		21 (.0415 / .680)
880551	Press. Inlet	1/4" / 6.4	1/8" NPTM	Yes	6000 / 400		9 (.0184 / .302)
880561	(Manifold) Feed	3/8" / 9.5			3500 / 240		21 (.0415 / .680)
880552	Direct Feed	1/4" / 6.4	1/8" NPTF	No	6000 / 400		9 (.0184 / .302)

Notes: Standard Viton® seals.
Sight glass is Polysulfone – check for compatibility with synthetic oils.
See Pump to Point Lubricator Accessories page for armored site glass kit (model 250176).



End Rotary Drive Lubricators

Internal Gear and Ratchet

Drive Data: Type—End rotary with internal gear and ratchet. **37.5:1 ratio.**

Rotation—Either clockwise or counterclockwise.

Power Source—Machine drive; not recommended for motor drive.

Maximum Input Speed—700 RPM.

Note: Number following dash in the part number indicates quantity of pumps included.

Model	Reservoir Capacity	Max. No. of Pumps	Drive Location	Service Sheet Number
800037-1,2,3,4	4 pint / 1.9L	5	RH	M2-26
800028-3	4 pint / 1.9L	5	LH	M2-43
800131-5	8 Pint / 3.8L	7	RH	M2-25
800019-5	8 Pint / 3.8L	7	LH	M2-40

Model	Dimensions—in. / mm					Shaft Dia.
	A	B	C	D	E	
800037-1,2,3,4	5 1/2 / 140	10 5/8 / 270	3 / 76	6 9/16 / 167	10 3/8 / 264	5/8 / 16
800028-3						
800131-5	8 3/4 / 222	14 1/8 / 359				
800019-5						

End Rotary Drive Lubricators

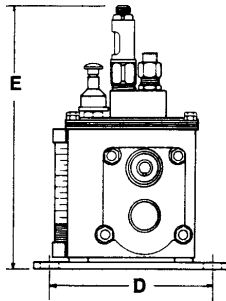
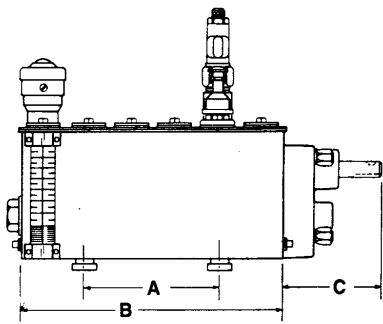
Spur Gear

Drive Data: Type—End rotary with spur gear. **112.5:1 ratio.**

Rotation—Either clockwise or counterclockwise.

Power Source—Machine drive; not recommended for motor drive.

Note: Number following dash in the part number indicates quantity of pumps included.



Model	Reservoir Capacity	Max. No. of Pumps	Drive Location	Service Sheet Number
800066-2,3	4 pint / 1.9L	5	RH	M2-20
800143-3	4 pint / 1.9L	5	LH	M2-136
800289-4,5	8 Pint / 3.8L	7	RH	M3-21

Model	Dimensions—in. / mm					Shaft Dia.
	A	B	C	D	E	
800066-2,3	5½ / 140	10% / 270	4 / 102	6⅞ / 167	10¼ / 273	⅝ / 16
800143-3						
800289-4,5	8¼ / 222	14¼ / 359				

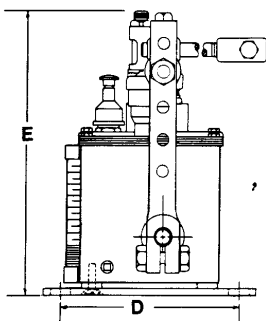
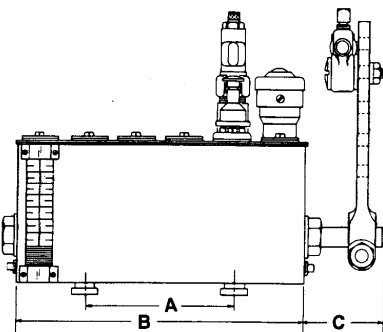
Internal Ratchet Drive Lubricators

Drive Data: Type—Internal 75-tooth ratchet gear.

Rotation—See chart for power stroke direction.

Power Source—Machine drive.

Note: Number following dash in the part number indicates quantity of pumps included.



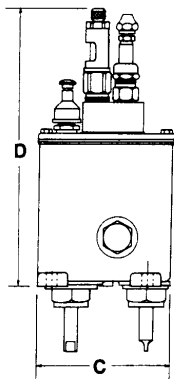
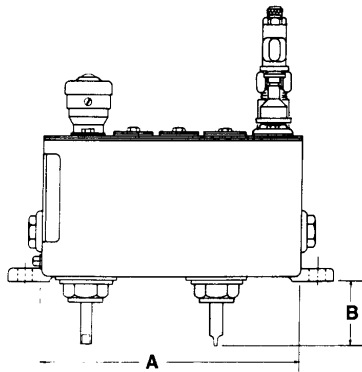
Model	Reservoir Capacity	Max. No. of Pumps	Drive Location	Power Stroke	Service Sheet Number
800065-1	2 pint / .95L	2	LH	CW	M3-31
800376-2	3 pint / 1.4L	3	RH	CW	M3-31
800118-2	4 Pint / 1.9L	5	RH	CW	M2-164
800100-2	4 Pint / 1.9L	5	LH	CW	M3-31
800031-3,5	8 Pint / 3.8L	5	RH	CW	M3-31

Model	Dimensions—in. / mm					Shaft Dia.
	A	B	C	D	E	
800065-1	3¾ / 95	5% / 137	3 / 76	6⅞ / 167	10½ / 269	⅝ / 16
800376-2					10¼ / 273	
800118-2					10% / 264	
800100-2					10¼ / 273	
800031-3,5					10¼ / 273	

Right-Hand Bottom Vertical Drive Lubricators

Filter Drive

Note: Number following dash in the part number indicates quantity of pumps included.

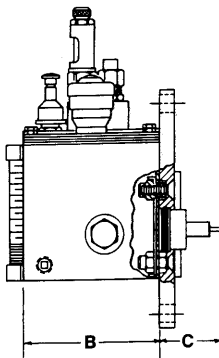
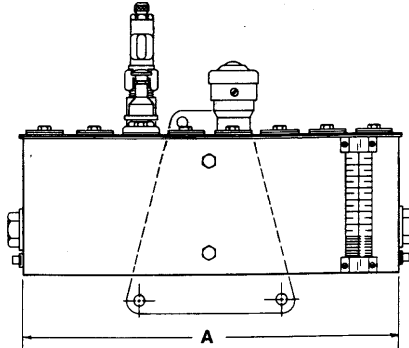


Model	Reservoir Capacity	Max. No. of Pumps	Ratio	Service Sheet Number
800192-3	4 pint / 1.9L	3	30:1	M2-37

Model	Dimensions—in. / m				Shaft Dia.
	A	B	C	D	
800192-3	9¾ / 248	2 / 51	5 / 127	10¾ / 273	½ / 13

Rear Rotary Drive Lubricators

Note: Number following dash in the part number indicates quantity of pumps included.

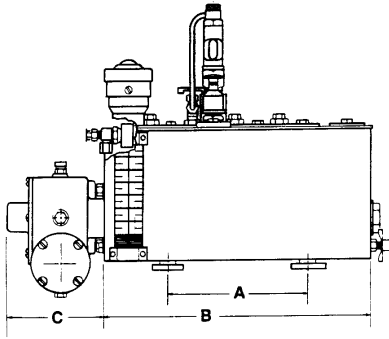


Model	Reservoir Capacity	Max. No. of Pumps	Drive Location	Ratio	Service Sheet Number
800469-2	3 pint / 1.4L	2	LH	80:1	M2-48
800621-4	8 Pint / 3.8L	6	LH	60:1	M2-42
800784-2	8 Pint / 3.8L	6	LH	137.5:1	M3-18

Model	Dimensions—in. / mm			Shaft Dia.
	A	B	C	
800469-2	7⅞ / 181	5⅞ / 132	2⅞ / 71	⅝ / 16
800062-4	10⅝ / 270	5⅞ / 132	1⅞ / 48	⅝ / 16
800784-2	14⅞ / 359	5⅞ / 132	2¼ / 57	½ / 13

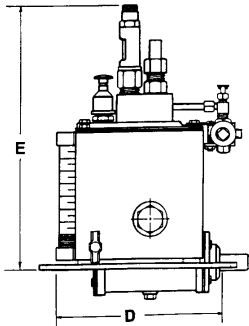
Left-Hand Rear Gearhead Drive Lubricators

Note: Number following dash in the part number indicates quantity of pumps included.



Model	Reservoir Capacity	Max. No. of Pumps	Ratio	Service Sheet Number
800059-1,2	4 pint / 1.9L	5	60:1	M2-19

Model	Dimensions—in. / mm					Shaft Dia.
	A	B	C	D	E	
800059-1,2	5½ / 140	10⅝ / 270	3⅜ / 97	6⅞ / 167	10⅞ / 276	⅝ / 16



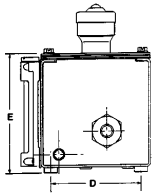
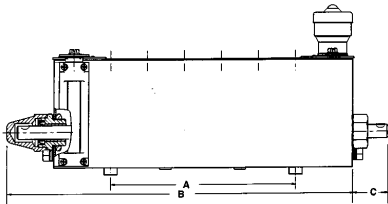
End Rotary Drive Tandem Lubricators

Drive Data: Type—End rotary all gear.

Rotation—Either clockwise or counterclockwise.

Power Source—Machine drive; also suitable for motor drive.

Note: Pumps and slot covers must be purchased separately.



Model	Reservoir Capacity	Max. No. of Pumps	Drive Location	Ratio	Service Sheet Number
847400	8 pint / 3.8L	6	RH	300:1	M2-218

Model	Dimensions—in. / mm					Shaft Dia.
	A	B	C	D	E	
847400	8¾ / 222	16⅞ / 414	2⅝ / 67	4¼ / 108	5⅞ / 138	⅝ / 16