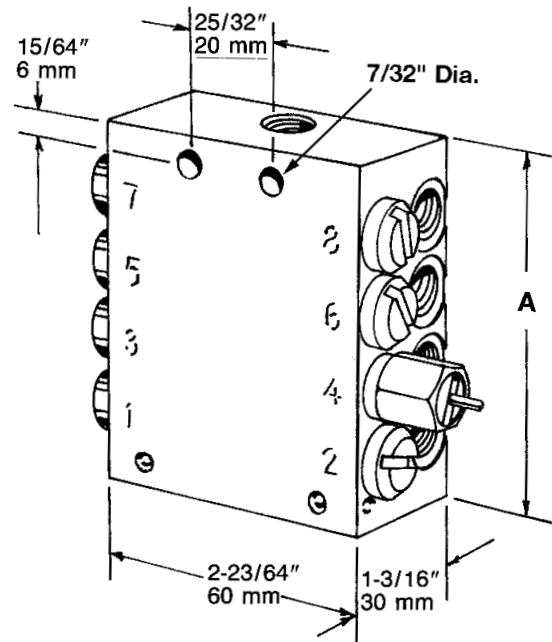


SSV Divider Valves



The SSV Divider Valve is the “heart” of a manual or automated Quicklub system. Featuring from 6 to 18 outlets, the SSV valve is available in carbon steel and 303 stainless steel for corrosive environments. Valves are available with cycle indicator pins to provide visual indication of system operation.

Specifications:

Construction Material	Max. Operating Pressure psig / bar	Output/Cycle per Outlet cu. in. / cc	Lubricant Inlet	Operating Temp.	
				min	max
Carbon Steel	4350 / 300	.012 / .2	1/8" NPTF(F)	-22°F (-30°C)	212°F (100°C)
Stainless Steel			1/8" BSPP(F)*		

Note: Lubricant outlet must use Lincoln Quicklub fittings. See Divider Valve Accessories section.
* 241650 stainless steel adapter available to convert inlet to 1/8" NPTF (F).

Model No.		Max. No. of Outlets	Cycle Indicator Pin	Dimension A in. / mm
Carbon Steel	303 Stainless Steel			
619-27121-1		6	No	2.36 / 60
619-27122-1	619-27472-1		Yes	
619-26396-2		8	No	2.95 / 75
619-26646-2	619-27474-1		Yes	
619-26844-1		10	No	3.54 / 90
619-26845-2	619-27476-1		Yes	
619-26398-2		12	No	4.14 / 105
619-26648-2	619-27478-1		Yes	
619-29400-1		14	No	4.8 / 120
619-28899-1			Yes	
619-28900-1		16	Yes	5.4 / 135
619-29401-1			No	
619-28901-1		18	Yes	6.50 / 165

Note: You must use outlets 1 and 2 for each of the above referenced models to allow the system to operate properly.

SSV Divider Valve Accessories

Model Number	Description
249010	Cycle switch for providing feedback monitoring for SSV systems
234-13178-1	Proximity switch with open end plug

Note: Cycle switch can only be used with SSV Series Quicklub valves that have indicator pins. Remove slotted plug from indicator assembly on valve prior to installing switch.